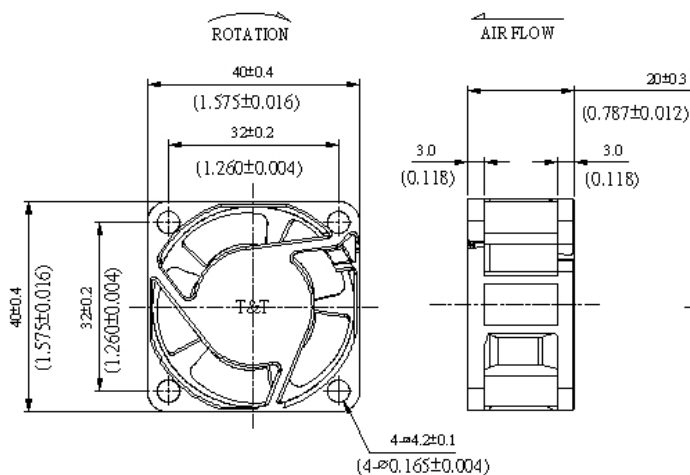
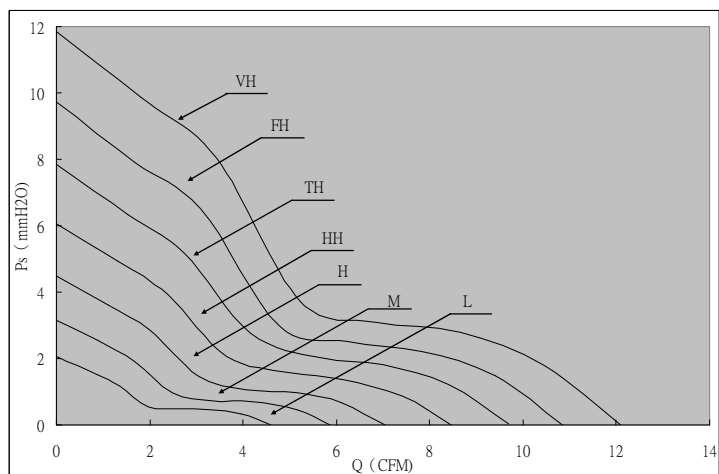
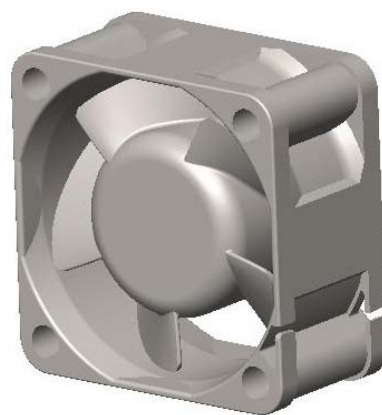


4020III Series (40x40x20mm)



BRIEF SPECIFICATIONS

MODEL NO	RATED VOLTAGE V	RATED CURRENT A	ACTUAL CURRENT A	PATED POWER W	RATED SPEED RPM	MAX. AIR FLOW	MAX.STATIC AIR PRESSURE	NOISE LEVEL DBA
						CFM	mmH2O	
4020L12S/B/F	12	0.12	0.02	1.44	4000	4.63	2.40	19.7
4020M12S/B/F	12	0.16	0.03	2.88	5000	5.87	3.15	21.3
4020H12S/B/F	12	0.20	0.05	3.36	6000	7.04	4.45	24.3
4020HH12S/B/F	12	0.24	0.07	3.84	7000	8.47	6.06	27.2
4020TH12S/B/F	12	0.28	0.08	1.68	8000	9.67	5.33	31.3
4020FH12B	12	0.32	0.10	2.16	9000	10.90	9.79	34.9
4020HH12S/B/F	12	0.24	0.07	3.84	7000	8.47	6.06	27.2
4020TH12S/B/F	12	0.28	0.08	1.68	8000	9.67	5.33	31.3
4020FH12B	12	0.32	0.10	2.16	9000	10.90	9.79	34.9
4020VH12B-	12	0.35	0.13	4.20	10000	12.17	11.82	38.5

Data Change Subject To Without Notice