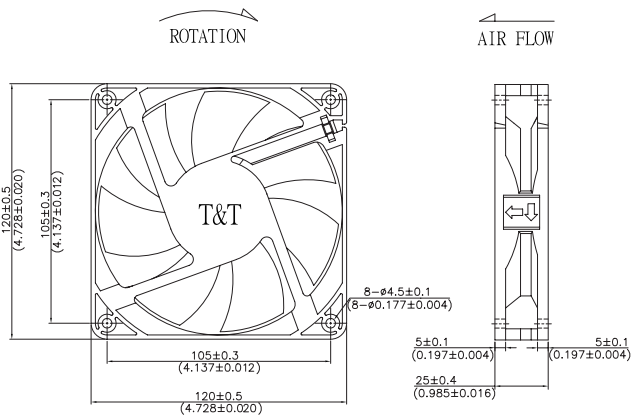
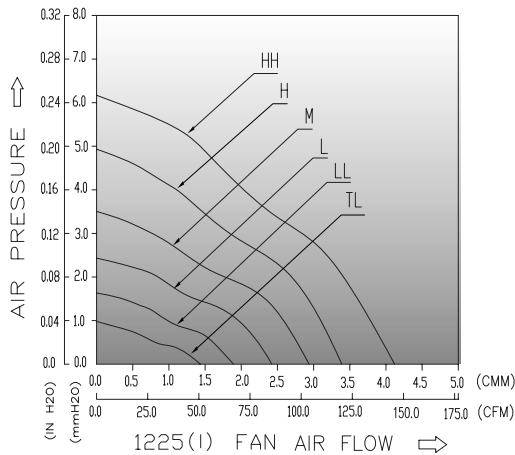
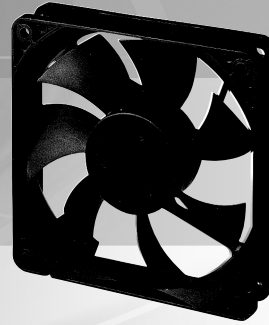


DC BRUSHLESS FAN

1225I Series (120x120x25/mm)



BRIEF SPECIFICATIONS

| MODEL NO | RATED VOLTAGE V | OPERATING VOLTAGE V | RATED CURRENT A | ACTUAL CURRENT A | RATED POWER W | RATED SPEED RPM | MAX. AIR FLOW | | MAX. STATIC AIR PRESSURE | | NOISE LEVEL dBA |
|-------------------|--------------------|------------------------|--------------------|---------------------|------------------|--------------------|---------------|--------|--------------------------|--------------------|--------------------|
| | | | | | | | CMM | CFM | mmH ₂ O | InH ₂ O | |
| 1225TL12S/B/F (-) | 12 | 8~13.8 | 0.10 | 0.07 | 1.20 | 1200 | 1.436 | 50.72 | 0.98 | 0.039 | 23.9 |
| 1225LL12S/B/F (-) | 12 | 8~13.8 | 0.18 | 0.14 | 2.16 | 1600 | 1.898 | 67.01 | 1.63 | 0.064 | 31.4 |
| 1225L12S/B/F (-) | 12 | 8~13.8 | 0.40 | 0.27 | 4.80 | 2000 | 2.425 | 85.64 | 2.43 | 0.096 | 37.2 |
| 1225M12S/B/F- | 12 | 8~13.8 | 0.60 | 0.37 | 7.20 | 2400 | 2.940 | 103.82 | 3.50 | 0.138 | 42.5 |
| 1225H12S/B/F- | 12 | 8~13.8 | 0.80 | 0.68 | 9.60 | 2800 | 3.395 | 119.90 | 4.93 | 0.194 | 47.5 |
| 1225HH12B- | 12 | 8~13.8 | 1.20 | 1.14 | 14.40 | 3200 | 4.125 | 145.69 | 6.17 | 0.243 | 51.4 |
| 1225L24S/B/F- | 24 | 12~27.6 | 0.20 | 0.17 | 4.80 | 2000 | 2.425 | 85.64 | 2.43 | 0.096 | 37.2 |
| 1225M24S/B/F- | 24 | 12~27.6 | 0.30 | 0.20 | 7.20 | 2400 | 2.940 | 103.82 | 3.50 | 0.138 | 42.5 |
| 1225H24S/B/F- | 24 | 12~27.6 | 0.40 | 0.31 | 9.60 | 2800 | 3.395 | 119.90 | 4.93 | 0.194 | 47.5 |
| 1225L48S/B/F- | 48 | 24~52.8 | 0.15 | 0.10 | 7.20 | 2000 | 2.425 | 85.64 | 2.43 | 0.096 | 37.2 |
| 1225M48S/B/F- | 48 | 24~52.8 | 0.20 | 0.13 | 9.60 | 2400 | 2.940 | 103.82 | 3.50 | 0.138 | 42.5 |
| 1225H48S/B/F- | 48 | 24~52.8 | 0.25 | 0.22 | 12.00 | 2800 | 3.395 | 119.90 | 4.93 | 0.194 | 47.5 |

Data Change Subject To Without Notice