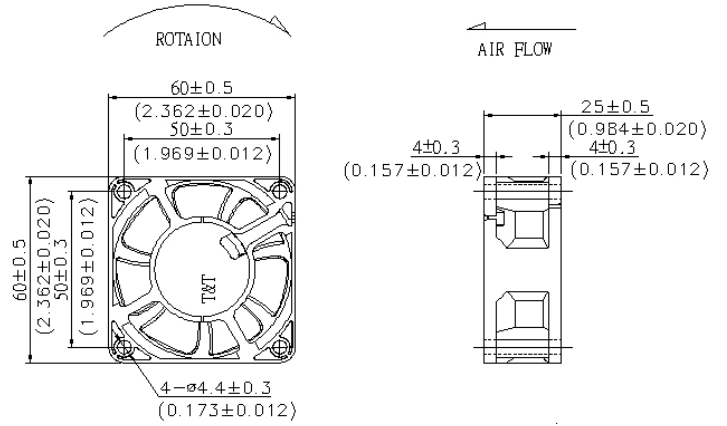
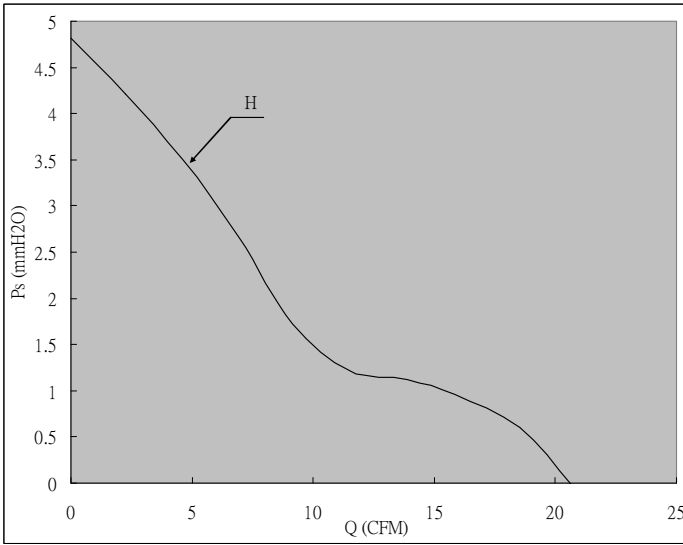
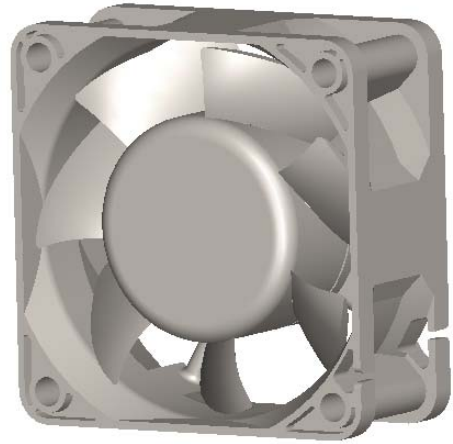


# 6025III Series (60x60x25mm) Dust-Proof Design



## BRIEF SPECIFICATIONS

MODEL NO	RATED VOLTAGE V	RATED CURRENT A	ACTUAL CURRENT A	RATED POWER W	RATED SPEED RPM	MAX. AIR FLOW	MAX. STATIC AIR PRESSURE	NOISE LEVEL DBA
						CFM	mmH2O	
6025H12S/B/F	12	0.25	0.10	3.00	4200	20.67	4.82	29.5

Data Change Subject To Without Notice