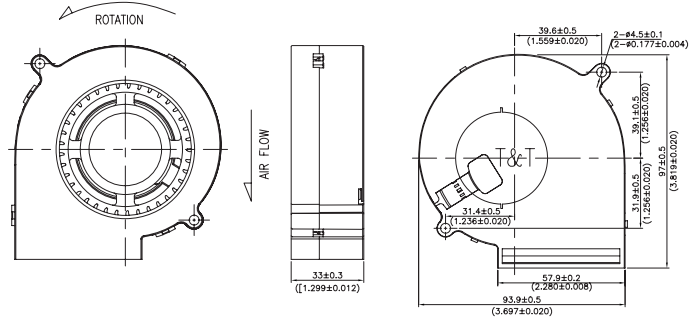
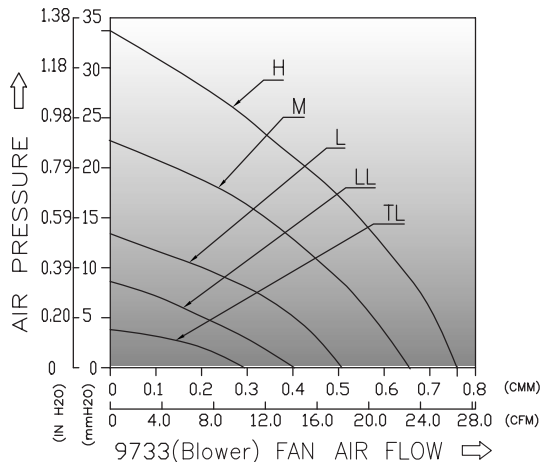
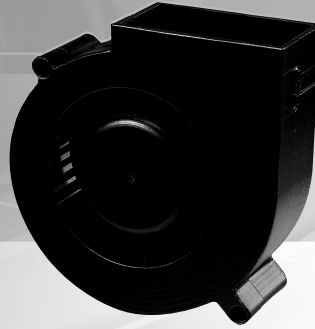


DC BRUSHLESS FAN

B9733 Series (97x97x33/mm)



BRIEF SPECIFICATIONS

MODEL NO	RATED VOLTAGE V	OPERATING VOLTAGE V	RATED CURRENT A	ACTUAL CURRENT A	RATED POWER W	RATED SPEED RPM	MAX. AIR FLOW		MAX. STATIC AIR PRESSURE		NOISE LEVEL dBA
							CMM	CFM	mmH ₂ O	lnH ₂ O	
B9733TL12B-	12	8~13.8	0.12	0.08	1.44	1500	0.294	10.39	3.81	0.150	33.3
B9733LL12B-	12	8~13.8	0.21	0.14	2.52	2000	0.403	14.24	8.62	0.339	43.0
B9733L12B-	12	8~13.8	0.36	0.29	4.32	2500	0.509	17.96	12.52	0.493	49.9
B9733M12B-	12	8~13.8	0.65	0.53	7.80	3000	0.657	23.19	22.62	0.891	53.8
B9733H12B-	12	8~13.8	1.05	0.90	12.60	3500	0.760	26.84	33.71	1.327	59.2
B9733TL24B-	24	18~27.6	0.08	0.07	1.92	1500	0.294	10.39	3.81	0.150	33.3
B9733LL24B-	24	12~27.6	0.13	0.11	3.12	2000	0.403	14.24	8.62	0.339	43.0
B9733L24B-	24	12~27.6	0.26	0.19	6.24	2500	0.509	17.96	12.52	0.493	49.9
B9733M24B-	24	12~27.6	0.40	0.35	9.60	3000	0.657	23.19	22.62	0.891	53.8
B9733H24B-	24	12~27.6	0.58	0.51	13.92	3500	0.760	26.84	33.71	1.327	59.2
B9733TL48B-	48	38~52.8	0.06	0.04	2.88	1500	0.294	10.39	3.81	0.150	33.3
B9733LL48B-	48	38~52.8	0.08	0.06	3.84	2000	0.403	14.24	8.62	0.339	43.0
B9733L48B-	48	38~52.8	0.12	0.11	5.76	2500	0.509	17.96	12.52	0.493	49.9
B9733M48B-	48	38~52.8	0.22	0.19	10.56	3000	0.657	23.19	22.62	0.891	53.8
B9733H48B-	48	38~52.8	0.35	0.30	16.80	3500	0.760	26.84	33.71	1.327	59.2

Data Change Subject To Without Notice